

Control Valves

Series 600/SQ

Sanitary Control Valves



KLINGER ITALY SRL - Viale Alcide De Gasperi, 88—20017 RHO (MI) ITALY

klinger@klinger.it — www.klinger.it

Tel.: +39 02 933331

Technical data

Size (DN)	DN 15 — 100
Pressure rating	PN10
Connections	Flanges, DIN 11851, clamp, BW
Type sealing	Soft (Class VI) Metallic (Class III)
Characteristic Action	Linear, Equalpercentage (eqp%) Pneumatic with diaphragm (supply max 3 bar)
Temperature	from -15 to +160°C

Description

Serie 600 sanitary control valves are linear control valves with a valve body made from 316L in angle design. The precise machined plug in 316L material gives an excellent control performance. Series 600 valves have integrated seat in the valve body and therefore are pocket-free and provide absolute drainage. These sanitary valves are ideal for applications in the food, pharmaceutical, cosmetic and biotech segments. On request special body designs can be supplied: 3-way valves, in-line design. Complete stainless steel pneumatic actuators can be mounted on the valves. All Burocco valves are delivered after testing and calibration and ready for a long utilize, without maintenance.

Options

- ⇒ Full stainless steel actuator for corrosive environment
- ⇒ 3-way (mixing or diverting) valves
- ⇒ Steam barriers
- ⇒ Handwheel for emergency operation
- ⇒ Valve positioners
- ⇒ Limit switches
- ⇒ Position feedback
- ⇒ Airset
- ⇒ Electric linear actuators
(230 V AC, 110/115 V AC, 24 V AC/DC)

Materials	
Valve body	Stainless steel 316L (1.4404)
Trim (plug - seat)	316L
Stem	316L
O-Ring	EPDM, silicon, other materials
Acuator	FE (epoxy varnish) Stainless steel
Yoke	Stainless steel



Flow rate coefficient (CV)

DN	CV (Cv=1.16Kvs)				
	5	3	1,5	0,75	0,45
15	5	3	1,5	0,75	0,45
20	8	5	3	1,5	0,75
25	13	8	5	3	1,5
32	18	13	8	5	
40	26	18	13	8	
50	45	26	18	13	
65	72	45	26	18	
80	105	72	45	26	
100	160	105	72	45	

Control Valves
Series 600/SQ
 Sanitary Control Valves

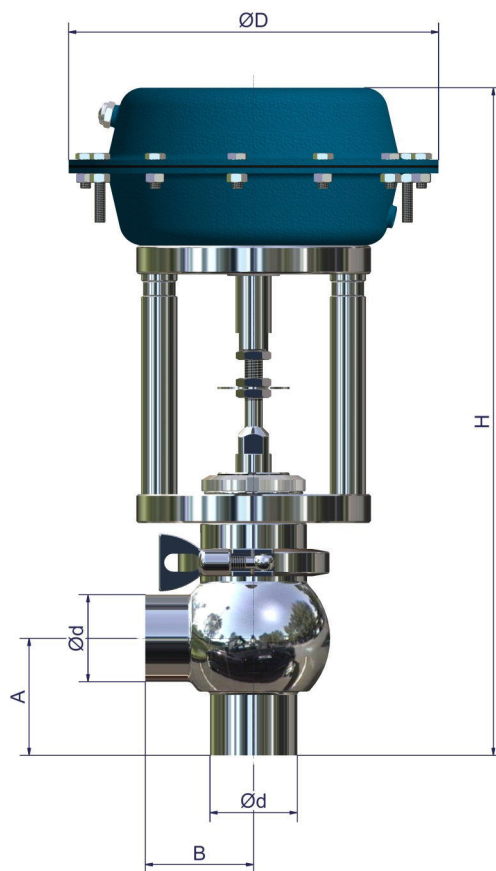
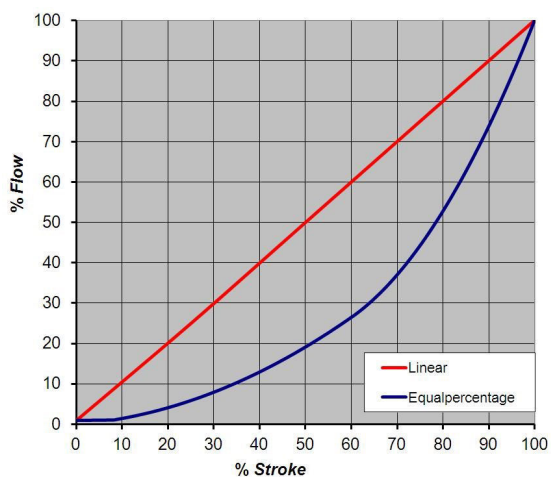


KLINGER ITALY SRL - Viale Alcide De Gasperi, 88—20017 RHO (MI) ITALY

klinger@klinger.it — www.klinger.it

Tel.: +39 02 9333331

Control characteristic



Dimensions (mm) - (valve body with BW connections)									
DN	15	20	25	32	40	50	65	80	100
Ød	18	22	28	34	40	52	70	85	101.6
ØD	205	205	205	275	275	275	340	340	430
A	38	38	47	43	44	50	58	77	79
B	38	38	47	56	57	67	75	95	104
H	340	340	350	355	355	370	425	440	490

Dimensions (mm)									
DN	15	20	25	32	40	50	65	80	100
M	47	50	61	70.5	70	80	90	112	123
N	43	44	54	63	63	73	82	104	113
O	65	70	75	90	95	105	115	125	135
P	50.7	50.7	59.7	62.6	61.7	78.6	86.6	105.6	107.6

