

# Control Valves

## Series 3003

Valve 3-way diverting/mixing



KLINGER ITALY SRL - Viale Alcide De Gasperi, 88—20017 RHO (MI) ITALY

klinger@klinger.it — www.klinger.it

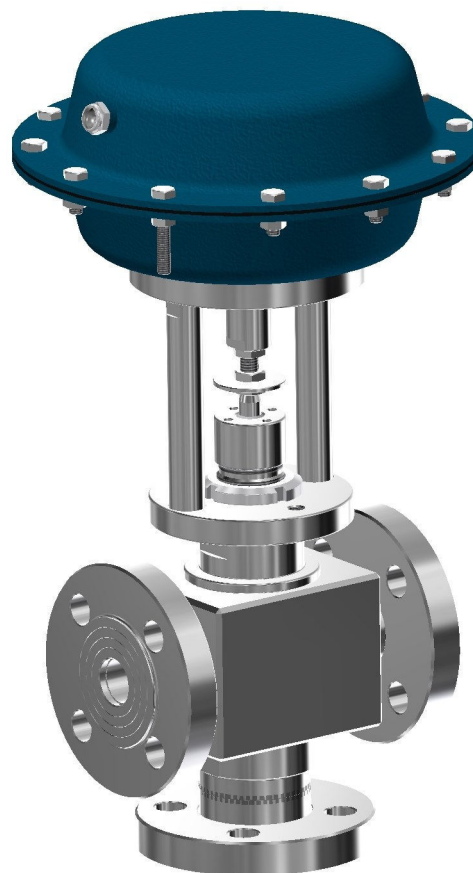
Tel.: +39 02 933331

### Technical data

Size (DN)	DN 15—50 (½" - 2")
Pressure rating	UNI/DIN PN16-100, ANSI 150-600
Connections	Flanges UNI PN16-100; Flanges ANSI 150-600, Clamp Threaded GNPT; Welded BW, SW
Type sealing	Soft (Class VI) Metallic (Class IV - V - VI)
Characteristic Action	Linear, equalpercentage (eq%) Pneumatic with diaphragm (supply max 3 bar)
Temperature	from -196 to +350 °C

### Description

The control valves serie 3003 are three way with function DIVERTING or MIXING. The body is manufactured from bar stock stainless steel or special alloys and is easily adapted to meet application requirements. Cryogenic, high temperature or bellows sealed designs are available and can be delivered with very short delivery times. All Burocco valves are delivered after testing and calibration and ready for a long utilize, without maintenance.



### Options

- ⇒ High temperature extension (finned bonnet)
- ⇒ Extension (- 100°C)
- ⇒ Cryogenic extension (- 196 °C)
- ⇒ Bellows seal (double wall PN16, triple wall PN40)
- ⇒ Full stainless steel actuator for corrosive environment
- ⇒ Special alloys for body: Hastelloy, Duplex, Monel
- ⇒ Special rating PN160/250
- ⇒ Handwheel for emergency operation
- ⇒ Valve positioners
- ⇒ Limit switches
- ⇒ Position feedback
- ⇒ Airset
- ⇒ Electric linear actuators  
(230 V AC, 110/115 V AC, 24 VAC/DC)
- ⇒ Hand operating (manual)
- ⇒ Pneumatic with piston actuator (service ON/OFF)

### Flow rate coefficient (CV)

DN	¾" (10)	½"(15)	¾"(20)	1" (25)	1¼"(32)	1½" (40)	2" (50)
CV	-	-	-	-	-	-	48
	-	-	-	-	-	28	28
	-	-	-	-	18	18	18
	-	-	-	12	12	12	12
	-	-	7	7	7	7	7
	-	4	4	4	4	4	4
	2,5	2,5	2,5	2,5	-	-	-

# Control Valves

## Series 3003

Valve 3-way diverting/mixing



KLINGER ITALY SRL - Viale Alcide De Gasperi, 88—20017 RHO (MI) ITALY

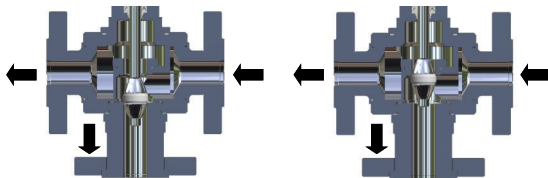
klinger@klinger.it — www.klinger.it

Tel.: +39 02 933331

Materials	
Valve body	316L
Trim (plug - seat)	316L / 17-4PH / Hastelloy / Duplex / Monel
Steam	316L / Hastelloy / Duplex / Monel
Packing	PTFE, PTFE+'OR' FPM, special
Body gasket	PTFE, SIL C4500, special
Acuator	FE (epoxy varnish)
Yoke	Stainless steel

### Function overview

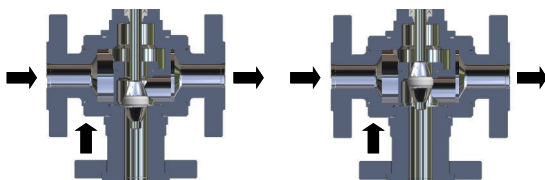
#### Diverting serie 3003D



Normally open straight way

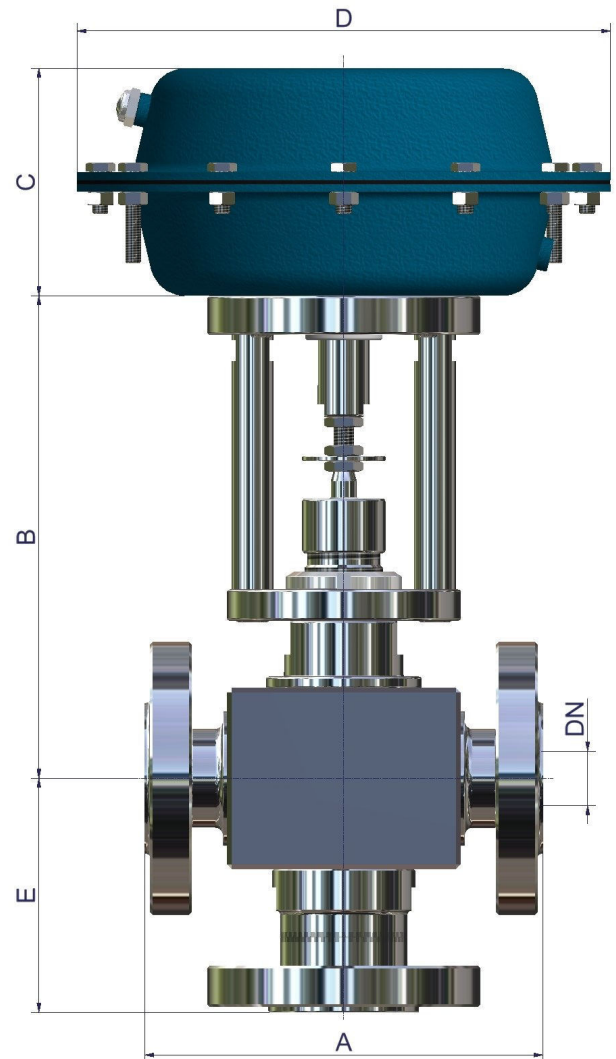
Normally open square way

#### Mixing serie 3003M



Normally open straight way

Normally open square way



Dimensions Series 3003		A = face-to-face (mm)				E = center-to-face (mm)			
A - E Flanged valves						A - E Threaded / welding valves			
DN	DIN PN		ANSI CLASS			DN	G / NPT Female	BW	SW
	16-40	63-100	150	300	600				
15	130 - 70	210 - 110	178 - 110	190 - 110	203 - 110	¼" - ½"	112 - 56	124 - 65	124-65
20	150 - 90	230 - 130	181 - 130	194 - 130	206 - 130	¾"	142 - 71	145 - 85	142-85
25	160 - 90	230 - 130	184 - 130	197 - 130	210 - 130	1"	142 - 71	155 - 85	142-85
32	**	260 - **	-	-	-	1¼"	190- **	190- **	190- **
40	200 - **	260 - **	222 - **	235 - **	251 - **	1 ½"	190 - **	194 - **	190- **
50	230 - **	300 - **	254 - **	267 - **	286 - **	2"	190 - **	224 - **	190- **

\*\* on request

KLINGER reserves the right to make improvements without prior notice 12/16

# Control Valves

## Series 3003

Valve 3-way diverting/mixing

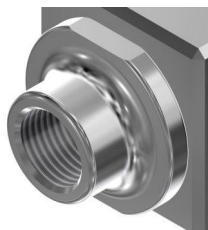


KLINGER ITALY SRL - Viale Alcide De Gasperi, 88—20017 RHO (MI) ITALY

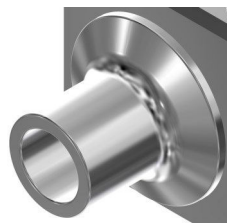
### End connections



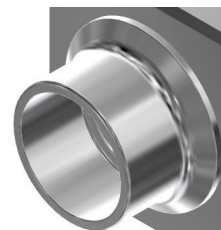
Flanges UNI/DIN - ANSI



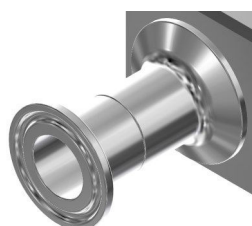
Threaded GAS - NPT



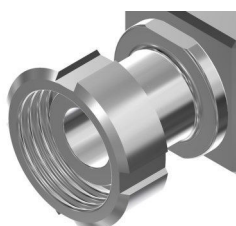
Welded BW



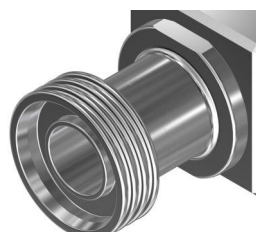
Welded SW



Clamp ISO



DIN 11851 (male)

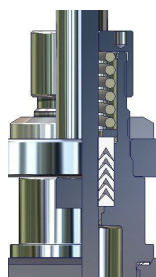


DIN 11851 (female)

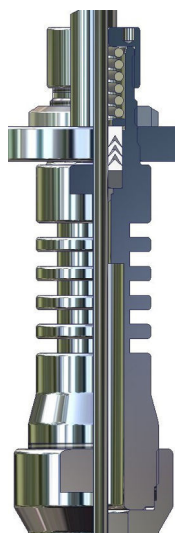


Special (on request)

### Bonnet specifications (temperatures limit employment )



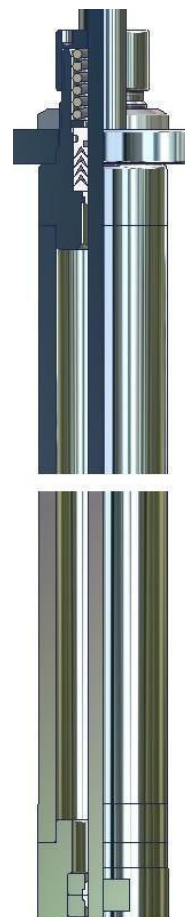
Standars (-30°C / +250 °C)



Finned (-30°C / +350 °C)



Bellows (-100°C / +250 °C)



Criogenic (-196°C / +180 °C)

klinger@klinger.it — www.klinger.it

Tel.: +39 02 933331

# Control Valves

## Series 3003

Valve 3-way diverting/mixing



Dimensions Series 3003 (mm)						
B at different bonnet designs						
DN		Standard	-100 °C (extension)	-200 °C (criogenic)	High Temp. (finned)	Bellows
15	¼" - ½"	180	305	660	305	300
20	¾"	190	310	665	310	305
25	1"	190	310	665	310	305
32	1¼"	220	On request	On request	On request	405
40	1½"	220	On request	On request	On request	405
50	2"	220	On request	On request	On request	405

Weight Series 3003 (kg) flanged valves (without actuator)									
DN	Weight with standard bonnet					Extra weight with bonnet extension			
	PN16-40	PN63-100	ANSI 150	ANSI 300	ANSI 600	-100 °C	-200 °C	High Temp.	Bellows
15	6	8,5	6	6,5	8	+ 1	+ 3	+ 1	+ 1,5
20	9,5	12,5	9,5	9,5	12,5	+ 1	+ 3	+ 1	+ 1,5
25	11,5	13,5	11	11,5	13,5	+ 1	+ 3	+ 1	+ 1,5
32	11,5	13,5	11	11,5	13,5	+ 1	+ 3	+ 1	+ 1,5
40	19,5	On request	On request	On request	On request	On request	On request	On request	+ 3
50	23	On request	On request	On request	On request	On request	On request	On request	+ 3

Weight Series 3003 (kg) threaded, welded valves					
DN	Weight with standard bonnet (without actuator)	Extra weight with bonnet extension			
		-100 °C	-200 °C	High Temp.	Bellows
¼" - ½"	4,0	+ 1	+ 3	+ 1	+ 1,5
¾"	6,0	+ 1	+ 3	+ 1	+ 1,5
1"	6,5	+ 1	+ 3	+ 1	+ 1,5
1¼"	13	On request	On request	On request	+ 3
1½"	13	On request	On request	On request	+ 3
2"	14,5	On request	On request	On request	+ 3

Dimensions (mm) and weight (kg) Actuators				
Actuator	C	D	Air connection	Weight
S-200	90	205	1/8" GAS FF	2,5
S-275	100	275	1/4" GAS FF	6
S-340	135	340	1/4" GAS FF	13
S-430	140	430	1/4" GAS FF	17

KLINGER ITALY SRL - Viale Alcide De Gasperi, 88—20017 RHO (MI) ITALY

klinger@klinger.it — www.klinger.it

Tel.: +39 02 933331