

## ON/OFF valves

### Series VPFA

General service valve 2 way



#### Technical data

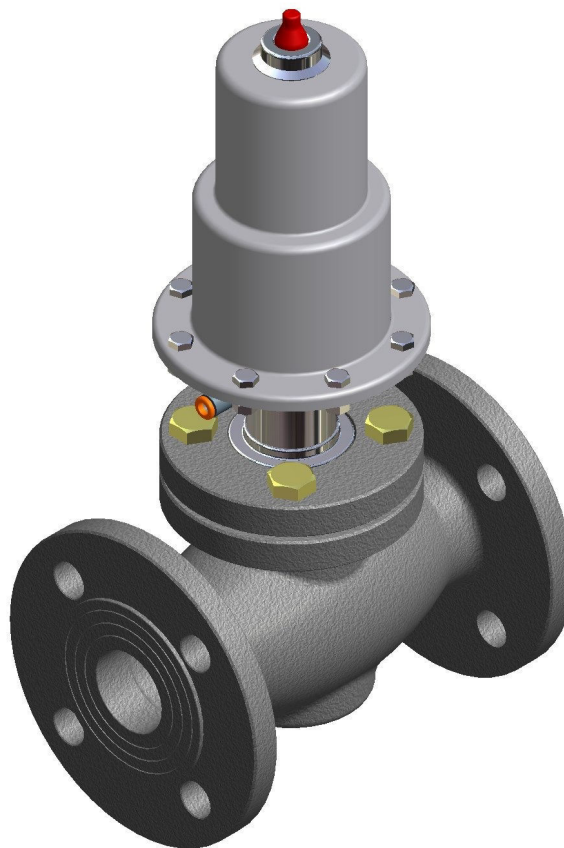
Size (DN)	DN 15 — 65
Pressure rating	PN16
Connections	Flanges UNI/DIN PN16
Type sealing	Soft (Class VI)
Characteristic	On/off
Action	Pneumatic with piston (supply max 8 bar)
Temperature	from -5 to +180 °C

#### Description

The Series VPFA on/off valve is a general service valve with a body made from nodular cast iron. The Series VPFA on/off valve is the best choice for a simple and reliable globe valve. Series VPFA valves can be used for liquid and gasses up to 16 bar and steam up to max 8 bar. All Burocco valves are delivered after testing and calibration and ready for a long utilize, without maintenance.

#### Options

- ⇒ Plug sealing HPP PEEK
- ⇒ Airset



#### Flow rate coefficient (CV)

DN	CV	KVs
15	4	3,5
20	7	6
25	12	10
32	18	15,5
40	28	24
50	48	41
65	72	61,5

# ON/OFF valves

## Series VPFA

General service valve 2 way

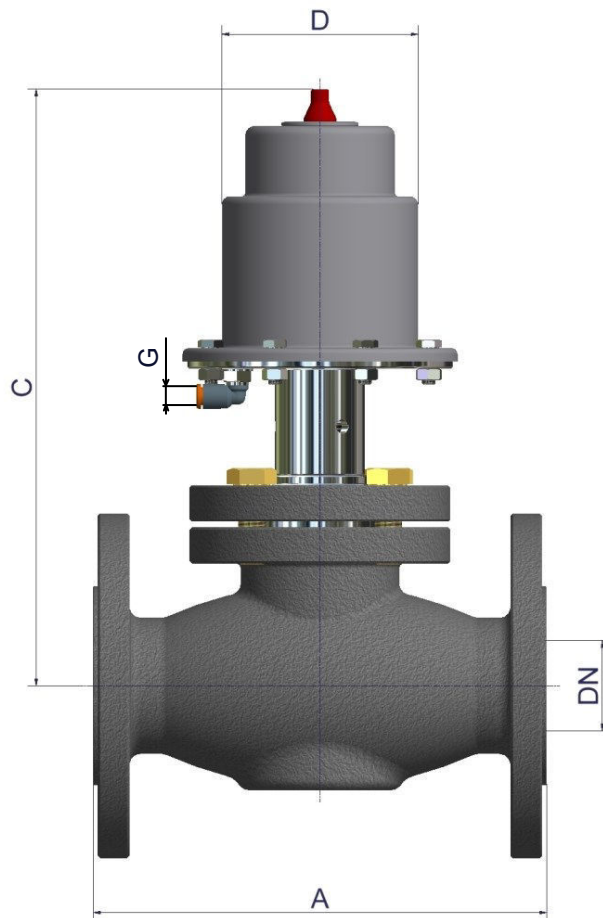


KLINGER ITALY SRL - Viale Alcide De Gasperi, 88—20017 RHO (MI) ITALY

klinger@klinger.it — www.klinger.it

Tel.: +39 02 933331

Materials	
Valve body	Nodular cast iron GGG 40 (PN16)
Trim (plug - seat)	316L + PTFE-CG or PEEK plug insert
Stem	316L
Packing	PTFE + graphite
Body gasket	FASIT 400
Acuator	Stainless steel



Standard dimensions (mm)					
DN	A	C	Ø D	Serv.	G
15	130	250	66	S63/R	1/8"G
20	150	250 - 280	66	S63/R - S63	
25	160	250 - 280	66	S63/R - S63	
32	180	265 - 315	88	S82/R - S82	
40	200	265 - 315	88	S82/R - S82	1/8"G-1/4"G
50	230	315 - 330	88 - 122	S82 - S118	
65	290	360	122	S118	1/4"G

Standard weight*							
DN	15	20	25	32	40	50	65
kg	6,5	7,6 / 7,8	8,6 / 8,8	11 / 11,5	11,5 / 12	19 / 21,5	29

\* without airset or other accessories