

# ON/OFF Valves

## Series VPOO/3

Valve 3-way diverting



### Technical data

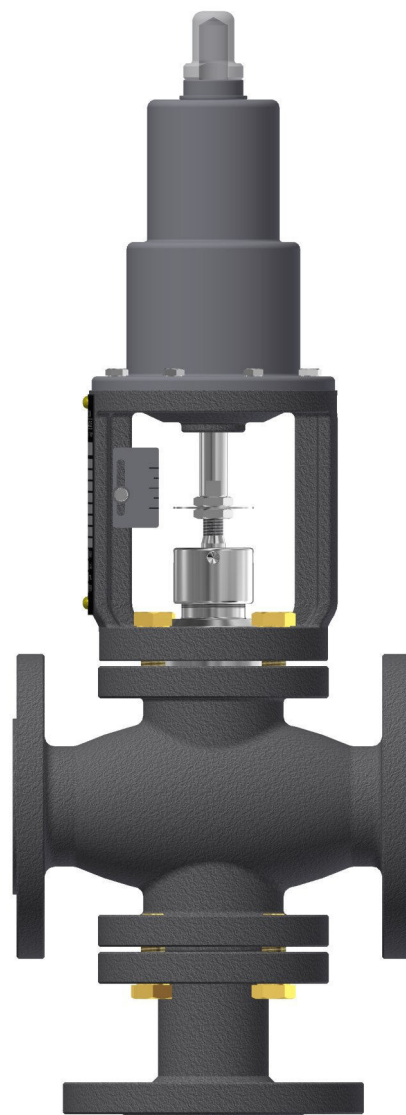
Size (DN)	DN 15 — 100
Pressure rating	PN16, PN40
Connections	Flanges UNI/DIN PN16, PN40
Type sealing	Soft (Class VI) Metallic (Class IV - V)
Characteristic	Linear
Action	Pneumatic with piston (supply max 8 bar)
Temperature	from -20 to +205 °C

### Description

The ON/OFF valves serie VPOO/3 have three way globe body with screwed seats and function DIVERTING. The plug is guided in its upper part and into seats. They are particularly indicated for service on/off in medium/light plants. All Burocco valves are delivered after testing and calibration and ready for a long utilize, without maintenance.

### Options

- ⇒ Metallic seal
- ⇒ Seals actuator FPM
- ⇒ Special 3 way DIVERTING CORRECT (size DN40-100)
- ⇒ Flanges can be drilled to ANSI 150 but with face to face and rating according to DIN
- ⇒ Full stainless steel actuator for corrosive environment
- ⇒ Handwheel for emergency operation
- ⇒ Valve positioners
- ⇒ Limit switches
- ⇒ Position feedback
- ⇒ Airset



### Flow rate coefficient (CV)

DN	CV	KVs
15	4	3,5
20	7	6
25	12	10
32	18	15,5
40	28	24
50	48	41
65	72	61,5
80	105	90
100	160	136

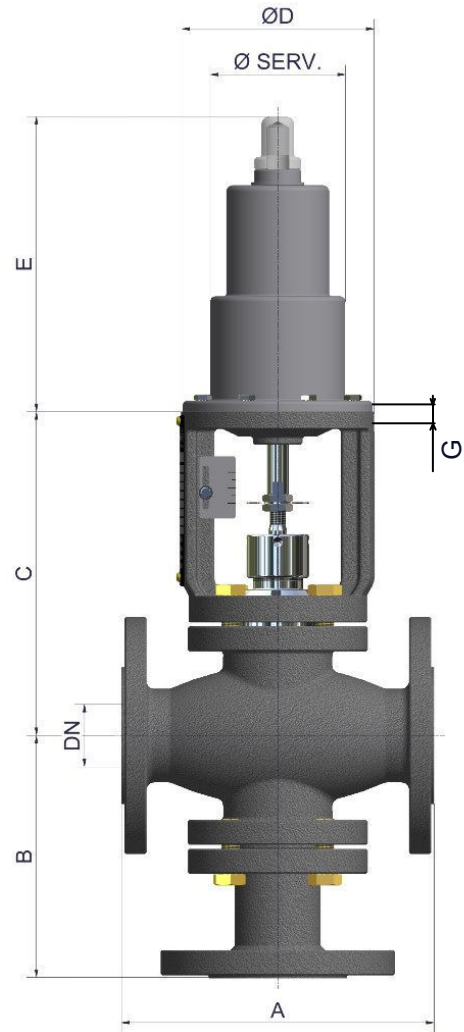
# ON/OFF Valves

## Series VPOO/3

Valve 3-way diverting

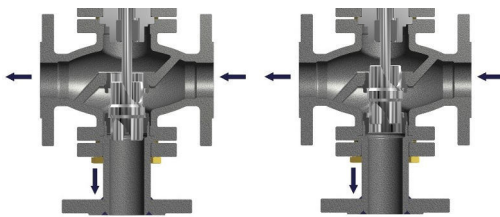


Materials	
Valve body	Nodular cast iron GGG 40 (PN16) Carbon steel ASTM A216WCB Stainless steel ASTM CF8M
Trim (plug - seat)	316L / 17-4PH / 316L+Stellite
Stem	316L
Packing	PTFE, PTFE+'OR' FPM, special
Body gasket	FASIT 400, SIL C4500, PTFE, special
Acuator	Stainless steel
Yoke	GGG 40 (epoxy varnish) Stainless steel



### Function overview

#### Diverting serie VPOO/3



Normally open straight way    Normally open square way

Type actuator with piston		
Ø SERV	D (mm)	G
S82	122	1/8" G
S118	165	1/4" G
S136	185	
S153	215	
S235	On request	

Dimensions (mm)					
DN	A	B	C	D	E
15	130	156	210	122	190
20	150	156	210	122	190
25	160	156	210 / 228	122 / 165	190 / 206
32	180	156	210 / 228	122 / 165	190 / 206
40	200	156	210 / 228	122 / 165	190 / 206
50	230	166	210 / 228	122 / 165	190 / 206
65	290	220	295	165 / 185	216 / 242
80	310	220	295	165 / 185	216 / 242
100	350	240	318 / 335	185 / 215	242 / 292

Indicative weight*									
DN	15	20	25	32	40	50	65	80	100
kg	14	16	17 / 20,5	22 / 25,5	23 / 26,5	34 / 37,5	54 / 58	62 / 66	78 / 82,5

\* without positioner, airset or other accessories