

ON-OFF Angle Valves

Series SBS/S - FL UNI PN 10/16



KLINGER ITALY SRL - Viale Alcide De Gasperi, 88—20017 RHO (MI) ITALY

klinger@klinger.it — www.klinger.it

Tel.: +39 02 9333331

Technical data

Size (DN)	DN 15 - 150
Rating	PN 16 (15-125) - PN 10 (150)
Connections	FLANGES DRILLING PN 16 (15-32) FLANGES UNI PN 10/16 (40-150)
Plug characteristic	Disc
Actuator	Pneumatic with piston
Supply	min 4 / max 8 bar
Temperature	from -30 to +150 °C

Description

Pneumatic valve angle seat with high coefficient of flow, solid construction and compact. Versatility due to the construction of stainless steel for use in harsh environments. They can be employed in several sector as: textile dyeing and finishing plants, chemical plants, water-treating, alimentary, general industrial plants. All Burocco valves are delivered after testing and calibration and ready for a long utilize, without maintenance.

Options

- ⇒ Normally open (NO)
- ⇒ Double effect (DE)
- ⇒ Seals actuator FPM (for steam max 180 °C)
- ⇒ Handwheel for emergency operation
- ⇒ Mechanical limit switch / proximity /
- ⇒ microswitches box
- ⇒ Solenoid
- ⇒ Electropneumatic converter signal 4-20 mA
o 0-10 VDC (control plug)
- ⇒ Special flanges on request (face to face UNI)
- ⇒ Special executions on request



DN	15	20	25	32	40	50	65	80	100	125	150
C _v	5	8	13	20	32	50	85	129	203	318	459
K _{vs}	4,3	6,9	11,1	17,1	27,4	42,8	72,7	110,3	173,5	271,8	392,3

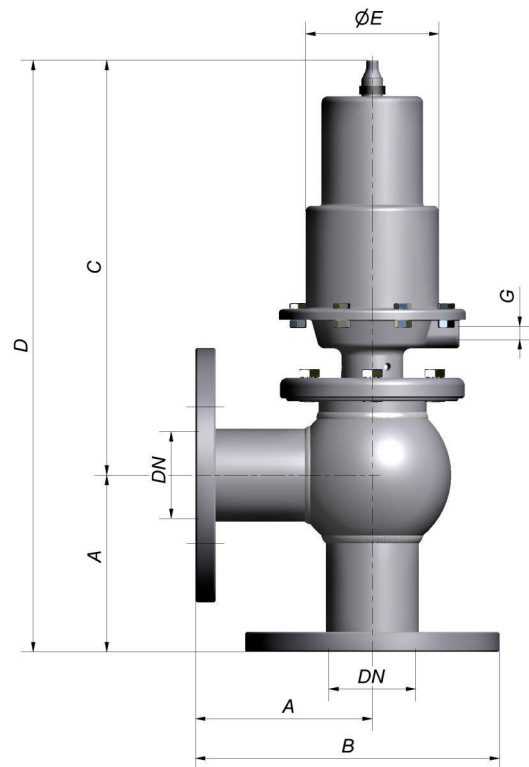
ON-OFF Angle Valves

Series SBS/S - FL UNI PN 10/16



KLINGER ITALY SRL - Viale Alcide De Gasperi, 88—20017 RHO (MI) ITALY

Materials	
Valve body	AISI 316/316L
Flanges	AISI 304/304L (STD) AISI 316/316L
Insert plug	PTFE (STD) - PTFE/CG - SILICON
Stem / Plug	AISI 316/316L
Packing	Standard PTFE ring energized with O-ring FPM
Body gasket	PTFE (STD) - CARBOFIBER
Seal actuator	FPM - NBR



Dimensions (mm)							
DN	A	B	C	D	ØE	G	weight (Kg) *
15	70	117.5	217	287	63	1/8" G	3.6
20	70	122.5	217	287			4.1
25	80	137.5	217	297			4.7
32	90	160	222	312			6.1
40	100	175	262	362	82	1/4" G	8.1
50	115	197.5	267	382	9.8		
65	130	222.5	290	420	118		14.6
80	135	235	317	452	136		21.7
100	150	260	325	475	153	1/4" G	24.6
125	165	290	394	559			33.5
150	220	362.5	405	595			37.9

* Actuator without accessories.

klinger@klinger.it — www.klinger.it

Tel.: +39 02 933331