

## Description:

The ISOTOR are metal jacketed gasket composed by:

- » Metal layer (copper, aluminum, AISI 316L, Soft Iron, etc.);
- » Asbestos free core (TSAEK, graphite, etc.);

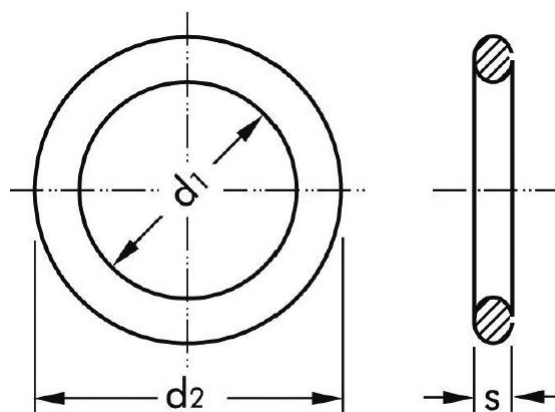


## Application/Service:

Highly plastic and resistant to high temperature, suitable for use in the automotive and industrial refrigerator fields. Isotor DIN 7603 are produced by KLINGER Italy with a fully automated system, which guarantees high quality standard and ensures fast delivery even for small and significant quantities.

## DIMENSIONAL TABLE:

DN	$d_1 (\pm 0.2)$	$d_2 (-0/+0.2)$	S ( $\pm 0.3$ )
6	6.1	10.2	1.8
8	8.2	13	1.7
8/1	8.2	12	1.5
10	10.1	15.4	2.5
10/1	10.3	13.8	1.6
12	12.3	17.2	2.15
13	13.5	18	1.5
13/1	13.2	19	2.5
14	14.2	19.8	2.47
16	16.1	21.9	2.8
16/1	16.5	21.7	2.7
17	17.2	22.8	3
18	18.1	23.9	3
19	19.2	25.2	2.5
20	20.4	26	3
21	21	26	3.2
21/1	21	26	2.2
22	22.2	27.8	2.6
22/1	22.2	28	2.8
25	25.5	34	2.5
26	26.2	32	2.5
27	27.3	31.9	2.5



Since all properties, specifications and application parameters shown throughout this catalogue are approximate and may be mutually influenced, your specific application should not be undertaken without independent study and evaluation for suitability. All technical data and advice given is based on experiences KLINGER Italy has made so far. Failure to select proper sealing products can result in damage and/or personal injury. Properties, specifications and application parameters are subject to change without notice. KLINGER Italy does not undertake any liability of any kind whatsoever. Is not advised the use in the maximum temperature and at the same time with the maximum pressure.